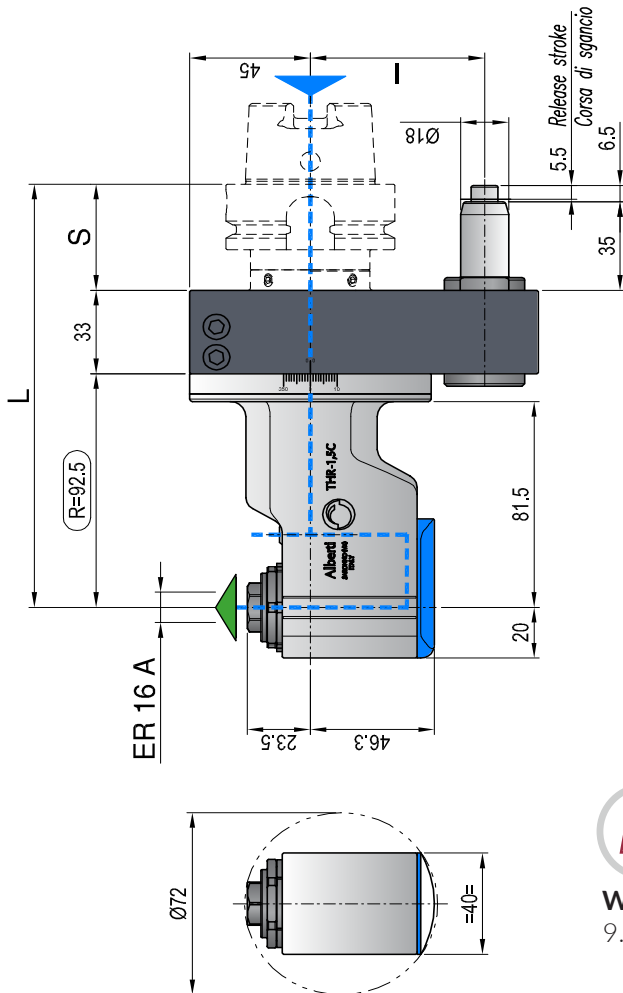


Angle Head Dimensions

Reference Only • Detailed drawings available upon request



Direction of rotation same as machine spindle

Max coolant pressure 100bar, 1450 psi

- Also available without coolant. Maximum speed 8,000 min⁻¹

Technical Features



Ratio

1.1



RPM

10.000 min⁻¹



Max. axial load

250 N



Torque

20 Nm



Tapping

Max. M6



Collet

ER-16
(Ø1/10 mm)

INPUT TAPER	SIZE	I	S	L
DIN-69871	40	65-80-(110*)	35	160
CAT	50	80-(110*)	35	160
MAS-BT	40	65-80-(110*)	35	160
	50	80-(110*)	41	166
HSK	63-80	65-80-(110*)	42	167
	100	80-(110*)	45	170
CAPTO	C5-C6	65-80-(110*)	38	163
	C8	80-(110*)	40	165
KM	50-63	65-80-(110*)	40	165

*Dual contact spindles optional

PLUS

- Available without coolant. High Speed 8.000 min⁻¹
- Increased torque thanks to bigger gears
- New drive system with pins for gear set
- One-hand wrench to tighten the tool